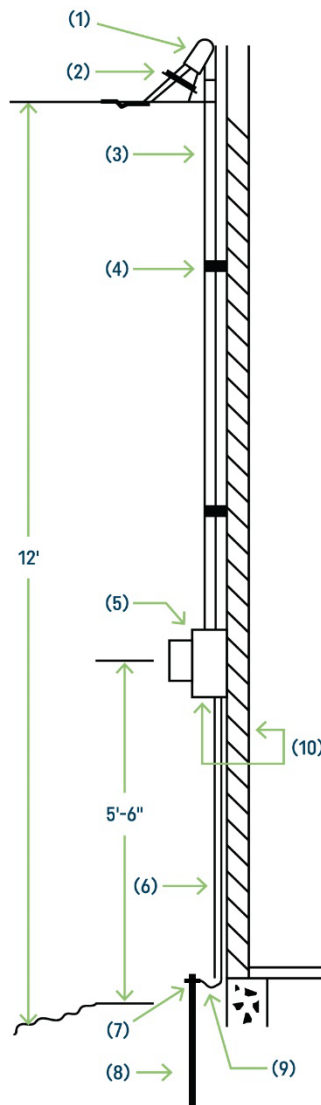


RECOMMENDED OUTSIDE METERING INSTALLATION ON A BUILDING

Meter installation must clear telephone wire and downspouts, 2 feet minimum and be placed beyond reach from all windows and doors. Unless otherwise noted, all wiring materials are to be furnished and installed by member.



- (1) WEATHERPROOF SERVICE CAP (WEATHERHEAD) MUST EXTEND ABOVE SERVICE WIRES.
- (2) RUBBER COVERED OR APPROVED PLASTIC COVERED STRANDED WIRE. 24" LENGTHS SHOULD BE EXTENDED FROM WEATHERHEAD.
- (3) GALVANIZED RIGID CONDUIT OR GRAY ELECTRICAL GRADE PVC (SCHEDULE 40).
- (4) CONDUIT STRAPS.
- (5) APPROVED METER SOCKET. 100 AMP MINIMUM.
- (6) 1/2" THIN WALL GALVANIZED CONDUIT WITH HOLDING STRIPS OR 1/2" GRAY ELECTRICAL PVC.
- (7) APPROVED TYPE CLAMP (ACORN CLAMP).
- (8) 1/2" X 8' COPPERWELD OR GALVANIZED GROUND ROD OR 3/8" X 10' IN SAND.
- (9) METER BASE GROUND MUST BE UNBROKEN FROM THE GROUND ROD TO GROUND CONNECTION IN BASE.
- (10) SERVICE ENTRANCE SWITCH, CIRCUIT BREAKER OR FUSABLE DISCONNECT. IT CAN BE AN ENTRANCE DIRECTLY THROUGH THE WALL OR IT CAN LEAVE THE METER SOCKET FROM THE SIDE OR BOTTOM, BUT IT MUST HAVE A MAIN DISCONNECT WITHIN 10 FEET OR LESS OF WIRE LENGTH FROM THE METER SOCKET.

PURPOSE

The purpose of these electric service rules, which apply to Jasper County REMC member's wiring installations, is to provide Jasper County REMC members and their electricians and wiremen with a guide for use in planning for electric service. These applications apply to 100, 200, 320, and 400 amp. Any service larger than 200 amp consult with the Cooperative.

CODES AND RULES

The Indiana State Electrical Code specifies the minimum requirements for all wiring installations in Indiana. The Cooperative imposes few additional requirements. The cooperative is not required to inspect any member's wiring, equipment, or devices to safety suitability, or compliance with Code Requirements. The cooperative may refuse or disconnect service to any installation which does not conform to an applicable Cooperative rule. All national, state, county, and city Codes must be adhered to along with REMC requirements.

SERVICE DROPS AND SERVICE ENTRANCES

Service drops

- It is the member's responsibility to have the meter base installed before calling for an appointment to install the electrical service.
- The Cooperative will furnish and install an overhead service to an acceptable point of support or yard pole on the member's premises, or furnish and install an underground service, including trenching for a cost to the member, to an acceptable metering point wherever it is deemed feasible.

Ownership and location

- In all cases, the member furnishes and installs the service entrance and is responsible for its upkeep and repair. The Cooperative, after consulting with the member, designates the location of the service entrance and meter.

Attachment of service drops

- If a structure to which an overhead service drop is to be run is not high enough to give the required clearance to the ground, the member shall furnish and install a higher support strong enough to withstand severe ice and wind loading, which will give the required ground clearance.
- The Cooperative will connect the service entrance wires to the service drops. No one else shall make these connections.

Capacity and disconnects

- All wiring, including entrance conductors and switches, should be of ample capacity of any load that may reasonably be expected to develop, and in all cases shall be of sufficient capacity to meet Code Requirements.
- Service entrance conductors, disconnects and devices of at least 100 ampere capacity are required.
- A single disconnecting means is required on all services. This single disconnect (fusible or breaker) must be ten (10) feet or less of wire length from the meter socket.

Meter locations

- Meter sockets, enclosures, or cabinets shall be installed on a substantial building or on a suitable yard pole, treated post or meter pedestal. In no case may they be installed on insecure supports or where they will be liable to mechanical injury or vibrations.
- All service meters, meter sockets and meter loops shall be accessible outdoor installations and shall be kept accessible for meter reading and testing.

Yard poles

- For overhead service installations where it is impractical to install the meter on a building, the member may purchase a pole from the Cooperative in accordance with Cooperative policy. The member's metering equipment and distribution wires may be installed on this pole which supports the Cooperative's service drop termination.

Meter Sockets

- The Cooperative will provide the 100 and 200 amp meter base for new construction, if the cooperative has them in stock. Any cabinets and enclosures shall be furnished by the member. They shall be wired in a manner that will not interfere with mounting and sealing the meter and be properly grounded. Meter sockets shall be mounted plumb and at approximately 5 to 5 ½ feet above ground, except as noted otherwise.
- If any knock outs are removed and not enclosed, the member shall furnish a plug.
- The cooperative will connect the service entrance wires to the service drops. No one else shall make these connections.

Underground Services

- For underground services where the cooperative extends its service wires to the meter socket, the member will furnish and install suitable conduit or raceway to the meter socket for protection of the cooperative's service wires. Also, a 90 degree long sweeping elbow and horizontal conduit, not less than twenty (20) feet out from building, or as required to clear all above or below ground obstacles.
- Underground services crossing any type of walkway, driveway, or roadways does require conduit furnished by the member.

Grounding

- All sockets, disconnects, etc. shall be grounded in accordance with applicable Codes. Grounding rods and clamps must be approved types. Copperweld rods and bronze clamps are recommended. One ground is required except as noted.
 - 100 amp service #6 copper
 - 200 amp service #4 copper
 - 400 amp service #4 copper

Notes

1. On single family residences 120-240 volt service equipment must have 10,000 ampere interrupting capacity rating.
2. Insulated neutral conductors shall be identified from other conductors according to Code.